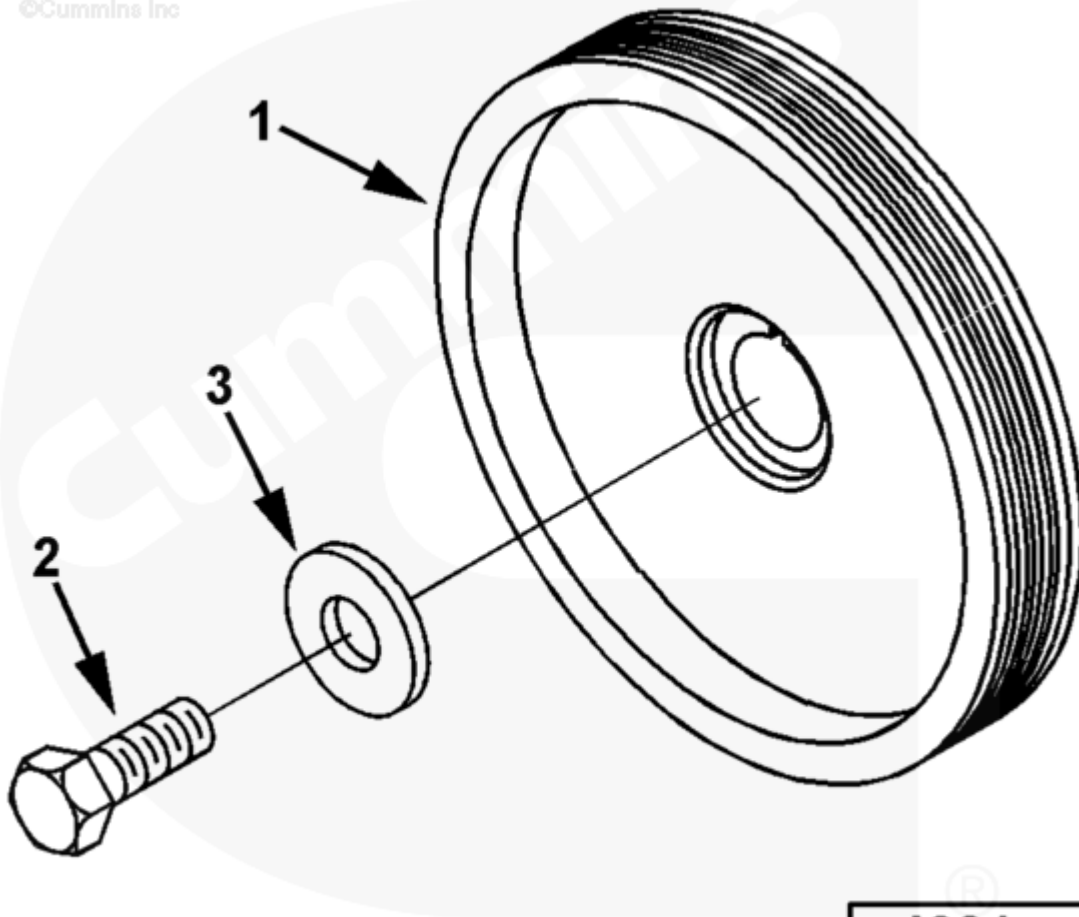




Parts Catalog - Option Detail

Electronic Parts Catalog - Option Detail				
Option	Group	Graphic	Film Card	Date
AD2063	09.03	ad201gq	II	19-OCT-98
Engines	ISM CM570, ISM CM570/870, ISM CM875, ISM CM876, ISM CM876 E, ISM11 CM876 M103, ISM11 CM876 SN, M11 CELECT, M11 CELECT PLUS, M11 MECHANICAL, QSM11 CM570, QSM11 CM876			



ad201gq

[SMALL](#) | [MEDIUM](#) | [LARGE](#)

Cart	Ref No	Part Number	Part Description	Required	Remarks
View My Cart					
		AD2063	Accessory Drive Pulley		
					Accessory Drive Pulley (Left)
					Intended Drive: Refrigerant
					Compressor

					Pulley Rotation: Same as
					Engine Crankshaft
					Horsepower Drive Limitation
					(hp): 30
					Side Load Limitation (lb):
					350
					Pulley Diameter: 221.15mm
					(8.71 in.)
					Pulley Groove: Poly V 6 Rib
					"K"
					Pulley Groove Location:
					96.67mm (3.81 in.)
					Drive Ratio: Turns at Engine
					Speed
					Use on Fuel Pump Side (Left
					Side) of Engine
<input type="checkbox"/>	1	3099205	Accessory Drive Pulley	1	
<input type="checkbox"/>	2	3818229	Hexagon Head Cap Screw	1	M20 x 2.50 x 50
<input type="checkbox"/>	3	3818463	Plain Washer	1	M20